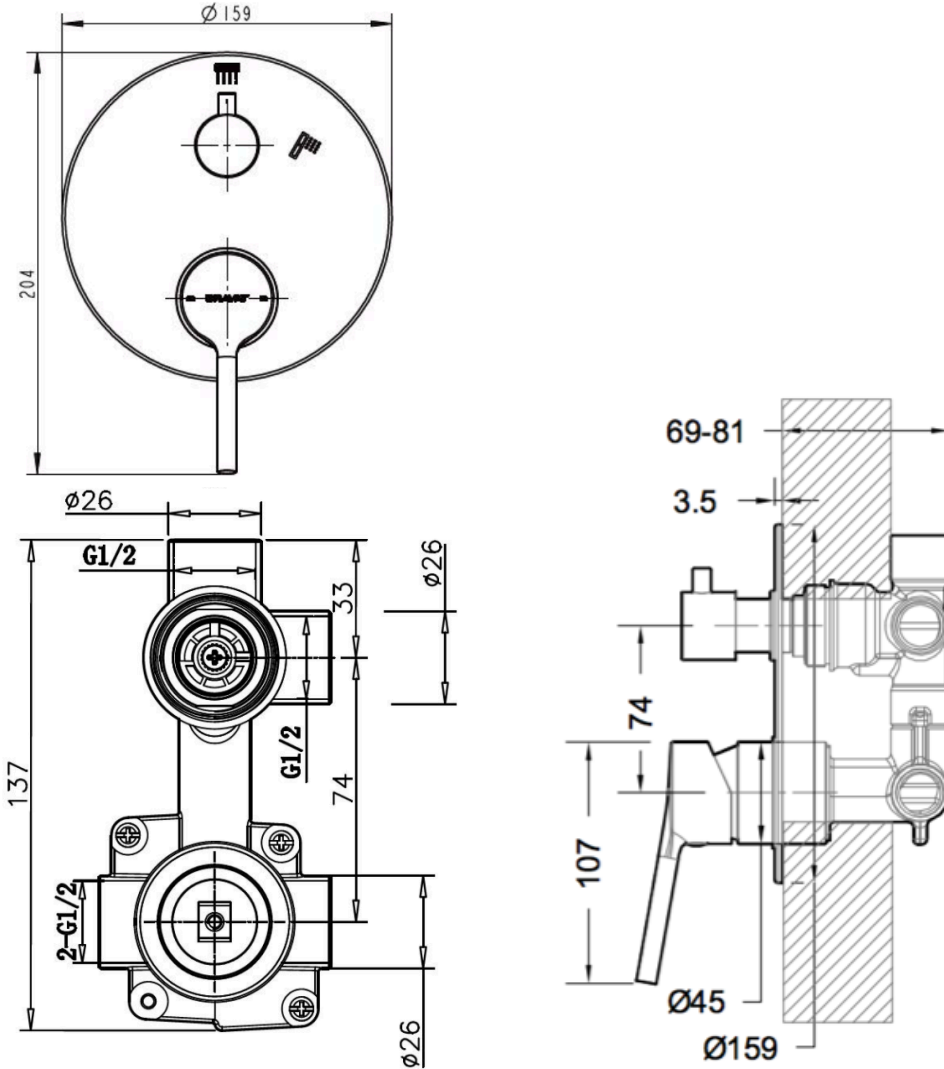


BRAVAT

BY DIETSCHKE  1873

AF-3000MB Shower Mixer with Diverter



FINISH: Matte Black

CONSTRUCTION: Super Brass

CARTRIDGE: 35mm Ceramic

CONNECTION: 1/2" BSP Female

WORKING PRESSURES: 150 - 500 Kpa

OPERATING TEMPERATURE: 5°C - 70°C

Warranty: 15 Years Warranty & Lifetime on cartridge* (Terms & Conditions Apply)



Bravat Care: For all domestic tap ware products include a 5 Year Parts and Labour warranty & Lifetime on Cartridge replacement* (Terms & Conditions Apply)

BRAVAT Global 1800 272 828 | info@bravataustralia.com.au