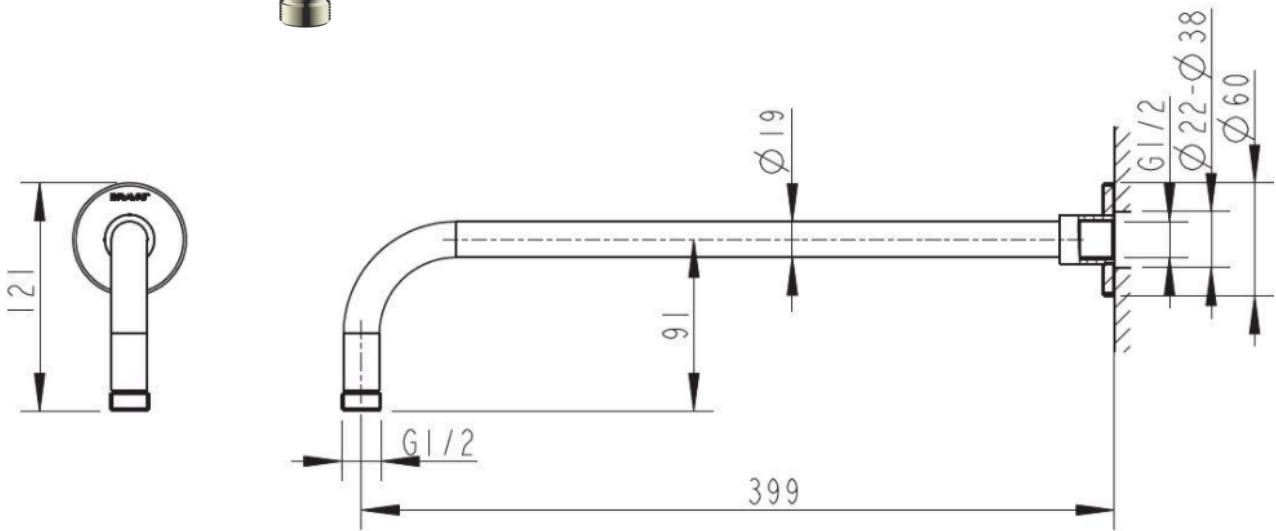
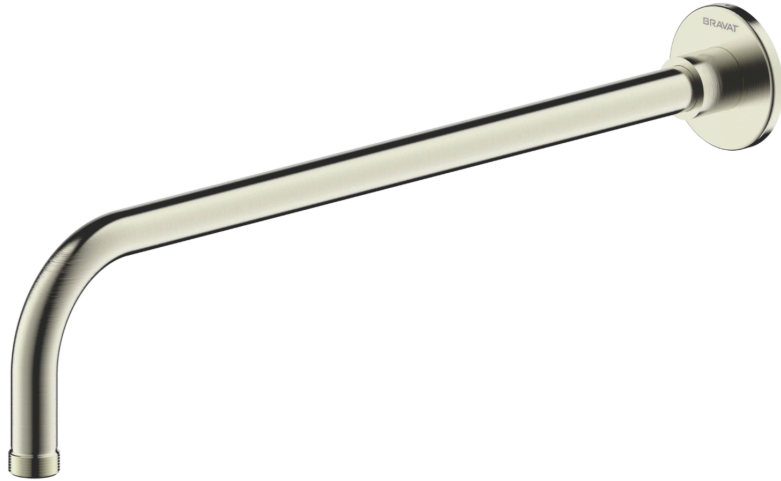


BRAVAT

BY DIETSCHKE  1873

SA-001BN

Round Wall Arm- 375mm



FINISH: Brushed Nickel

CONSTRUCTION: Super Brass

CONNECTION: 1/2Ø Female Thread

WORKING PRESSURES: 150 - 500 Kpa

OPERATING TEMPERATURE: 5°C - 70°C

Warranty: 15 Years Warranty & Lifetime on cartridge* (Terms & Conditions Apply)



Bravat Care: For all domestic tap ware products include a 5 Year Parts and Labour warranty & Lifetime on Cartridge replacement* (Terms & Conditions Apply)

BRAVAT Global 1800 272 828 | info@bravataustralia.com.au