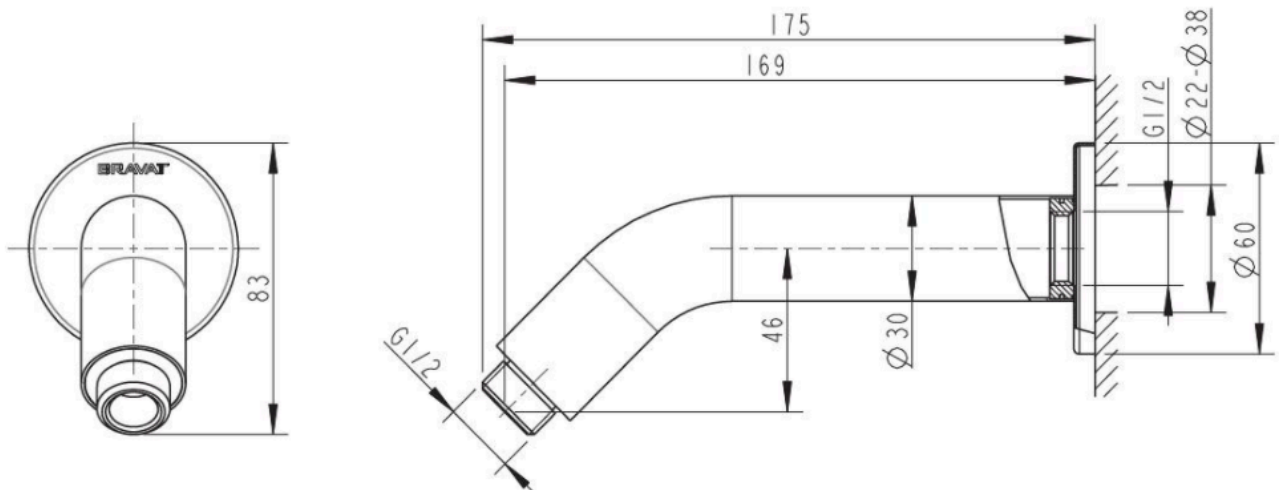


BRAVAT

BY DIETSCHKE  1873

8810WSQ

Round Wall Arm -169mm



FINISH: Chrome

CONSTRUCTION: Super Brass

CONNECTION: G1/2 Female Thread

WORKING PRESSURES: 150 - 500 Kpa

OPERATING TEMPERATURE: 5°C - 70°C

Warranty: 15 Years Warranty & Lifetime on cartridge* (Terms & Conditions Apply)

